

SPECIFICATION OF AIR CONDITIONING UNITS COMPANION CARE (SERVICES) LIMITED



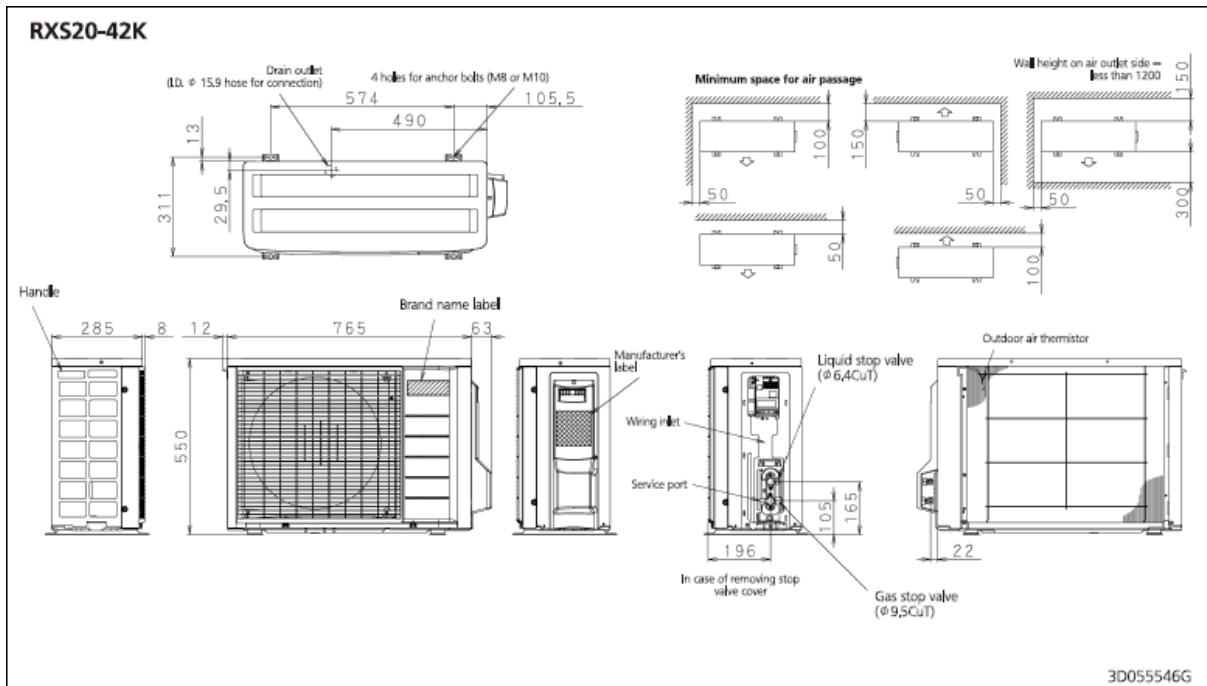
SPLIT OUTDOOR UNITS – RXS

- Upgraded to ensure compliance with ErP directive
- The RXS range has been upgraded
 - 2kW to 6kW will be L series
 - 7.1kW series will be F8 series
- The RX series larger capacity also upgraded
 - 60 and 71 has become GVB series
- The changes to both ranges are to improve the SEER and SCOP of paired split units

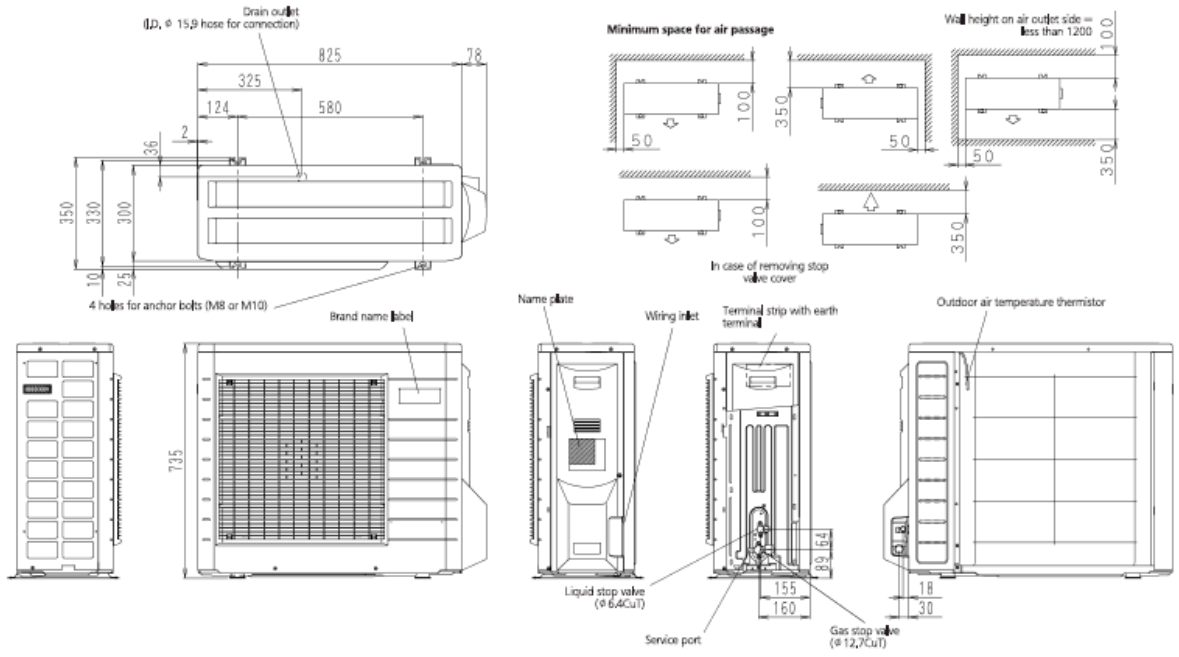
Specification

Outdoor Units			RXS20L	RXS25L	RXS35L	RXS42L	RXS50L	RXS60L	RXS71F8		
Dimensions	Height x Width x Depth	mm	550 x 765 x 285			550 x 765 x 285		735 x 825 x 300		770 x 900 x 320	
Weight		kg	34	34	34	39	47	48	71		
Electrical Details	Power Supply		1ph			1ph					
	Running Current	A	2.30	3.10	4.10	5.70	6.30	8.80	10.49		
	Starting Current	A	2.8	3.3	4.3	6.6	6.8	9.4	11.7		
	Max Fuse Size	A	10	10	10	20	20	20	20		
Interconnection Wiring	Core / Cable size		3+E / 1.5			3+E / 2.5					
Piping Connections	Liquid / Gas	inches	1/4 / 3/8	1/4 / 3/8	1/4 / 3/8	1/4 / 3/8	1/4 / 1/2	1/4 / 1/2	1/4 / 5/8		
Pipework	Maximum Length	m	20	20	20	20	30	30	30		
	Maximum Vertical Rise	m	15	15	15	15	20	20	20		
	Precharged to	m	10	10	10	10	10	10	10		
	Additional Charge	g/m	20								
	Holding Charge	kg	1.0	1.0	1.2	1.3	1.7	1.5	2.3		
Sound Pressure	High	dB(A)	46	46	48	48	48	49	52		
Sound Power		dB(A)	59	59	61	61	62	62	65		

Drawings



RXS50K



3D0516575